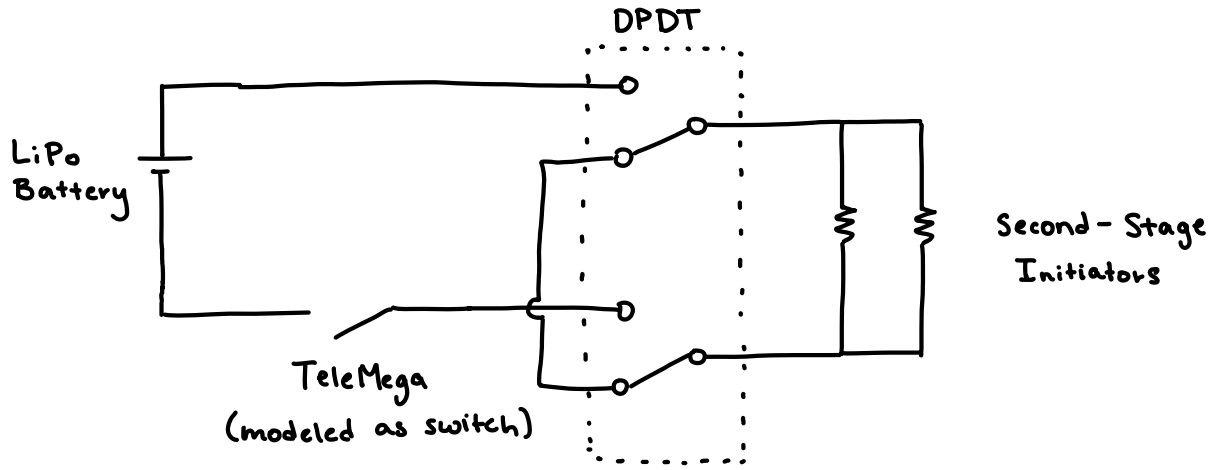
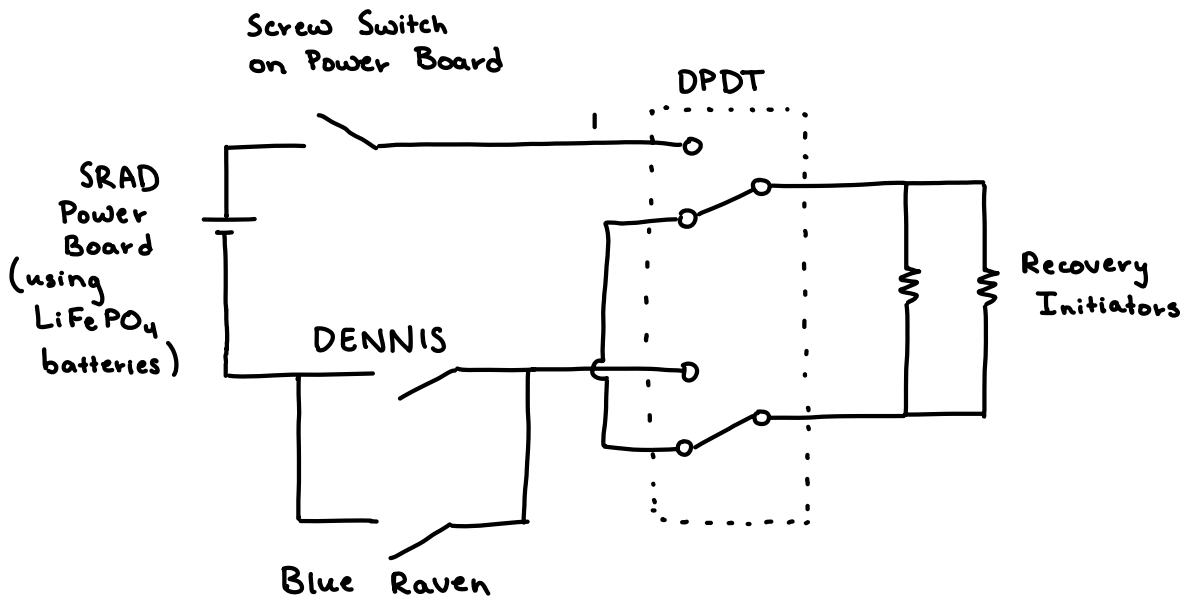


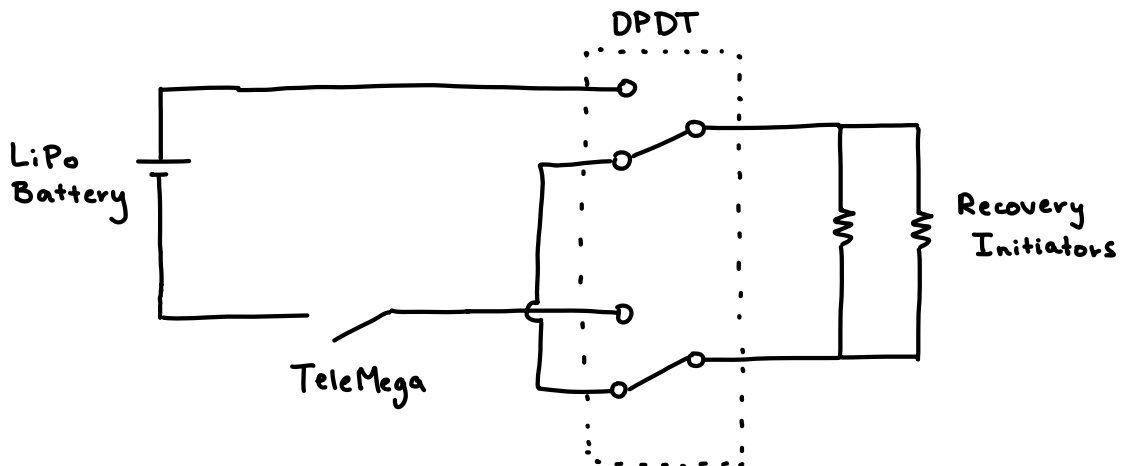
2nd Stage Ignition



Recovery - (Same structure for drogue and main deployment)



- Note: Both DENNIS and Blue Raven used for recovery initiation redundancy (ensures 2 independently powered COTS computers firing recovery, not only the Telemega)



- Above Lithium Polymer battery provided by Altus Metrum for Telemega

Air Brakes - Used for Stage Separation on Booster

