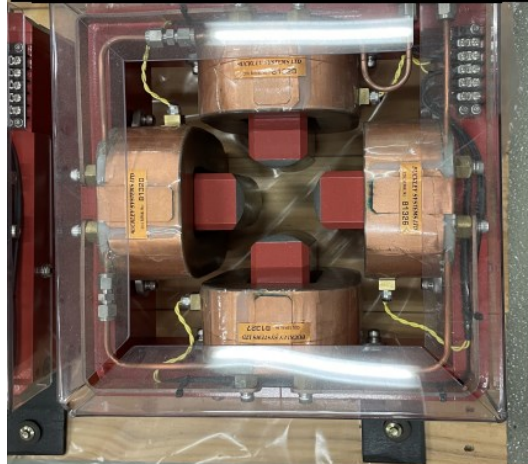


COIL 3 (STRONG)



PART No.	11803500
SERIAL No.	SN - 0012
MAXIMUM OP. CURRENT	43.1 Amps
MAXIMUM OP. VOLTAGE	4.6 V
RESISTANCE (@20°C)	0.0943 Ω
MAX INTEGRATED STRENGTH	1.275 T
APERTURE DIAMETER	52.00 mm
GROSS WEIGHT	65 kg / 145 lbs
COOLING FLOW	0.28 L/MIN
PRESSURE DROP	<5 PSI
MAX WATER TEMP. RISE	10 °C

Buckley Systems Ltd

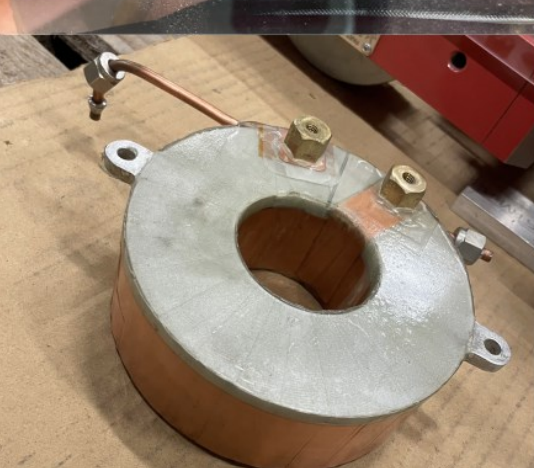


COIL 1 (MEDIUM)



PART No.	11803530
SERIAL No.	SN - 0007
MAXIMUM OP. CURRENT	39.0 Amps
MAXIMUM OP. VOLTAGE DC	4.90 V
RESISTANCE (@20°C)	0.1118 Ω
MAX INTEGRATED STRENGTH	0.70 T
APERTURE DIAMETER	52.00 mm
GROSS WEIGHT	37.5kg / 82.7lbs
COOLING FLOW	0.25 L/min
PRESSURE DROP	<5 PSI
MAX WATER TEMP RISE	10 °C

Buckley Systems Ltd

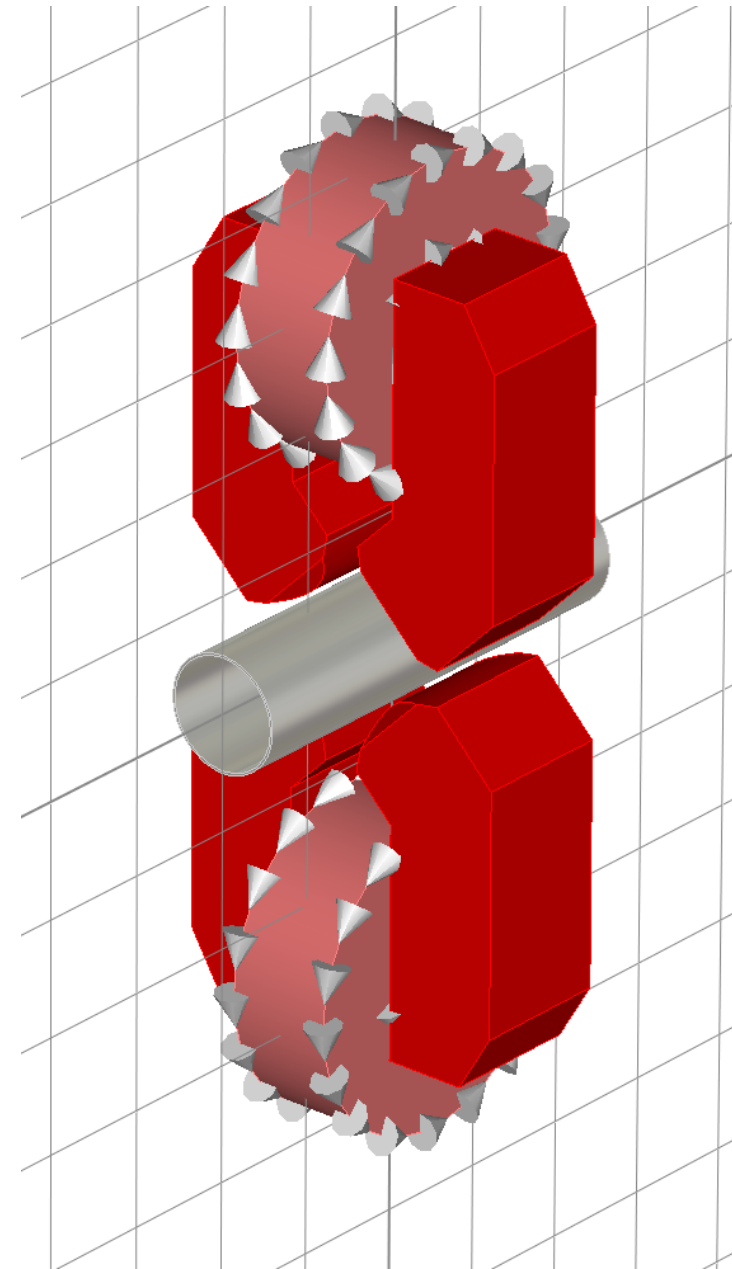


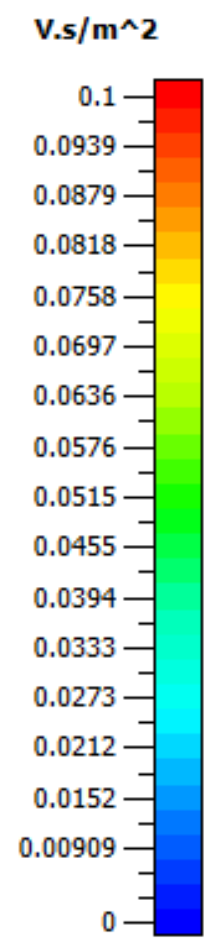
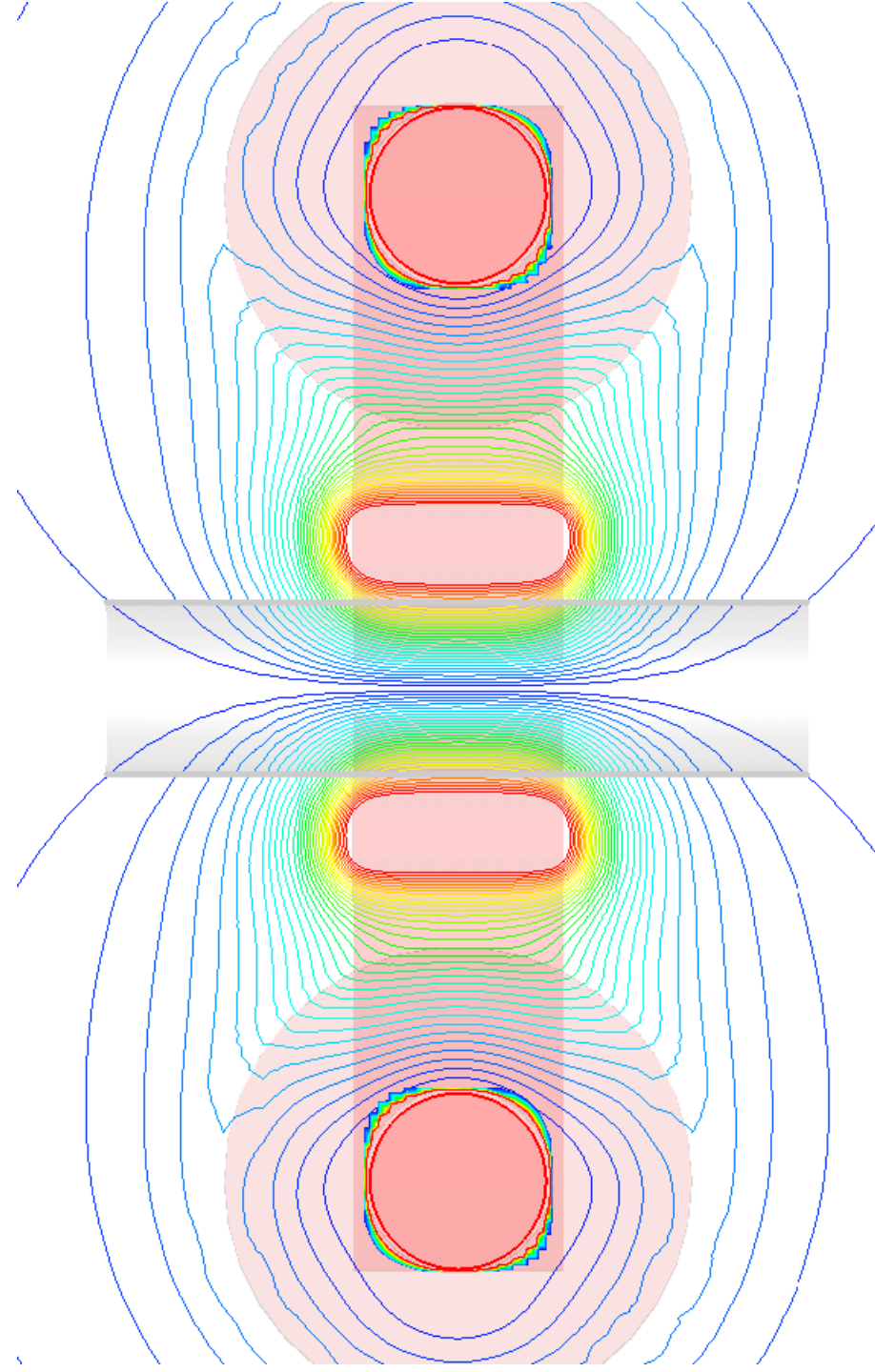
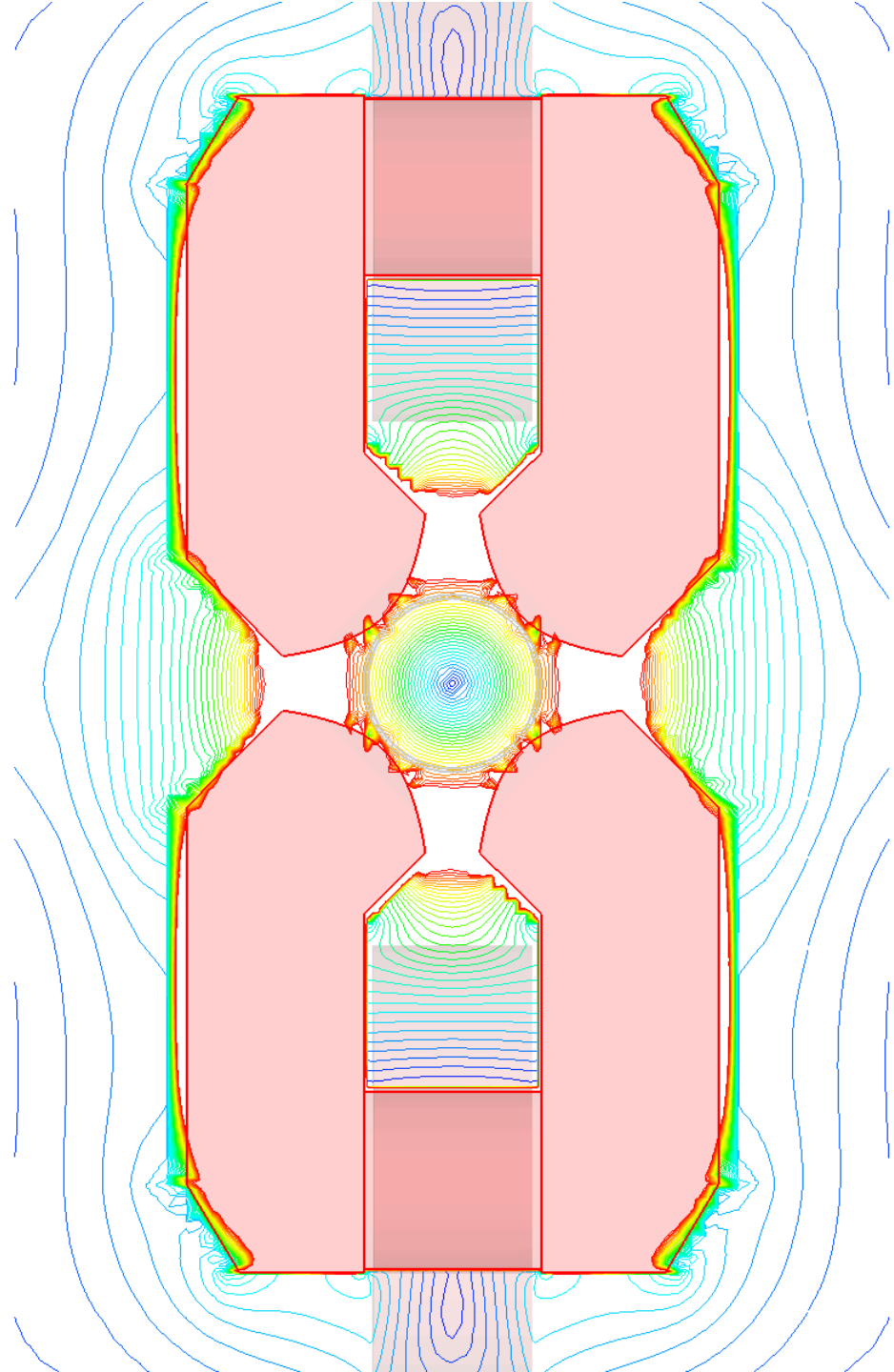
COIL 2 (WEAK)



PART No.	11803560
SERIAL No.	SN - 0032
MAXIMUM OP. CURRENT	5.40 Amps
MAXIMUM OP. VOLTAGE DC	3.50 V
RESISTANCE (@20°C)	0.5622 Ω
MAX INTEGRATED STRENGTH	0.20 T
APERTURE DIAMETER	52.00 mm
GROSS WEIGHT	30.0kg / 66.1lbs
MAX COIL TEMP. RISE	20 °C

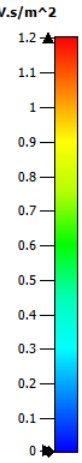
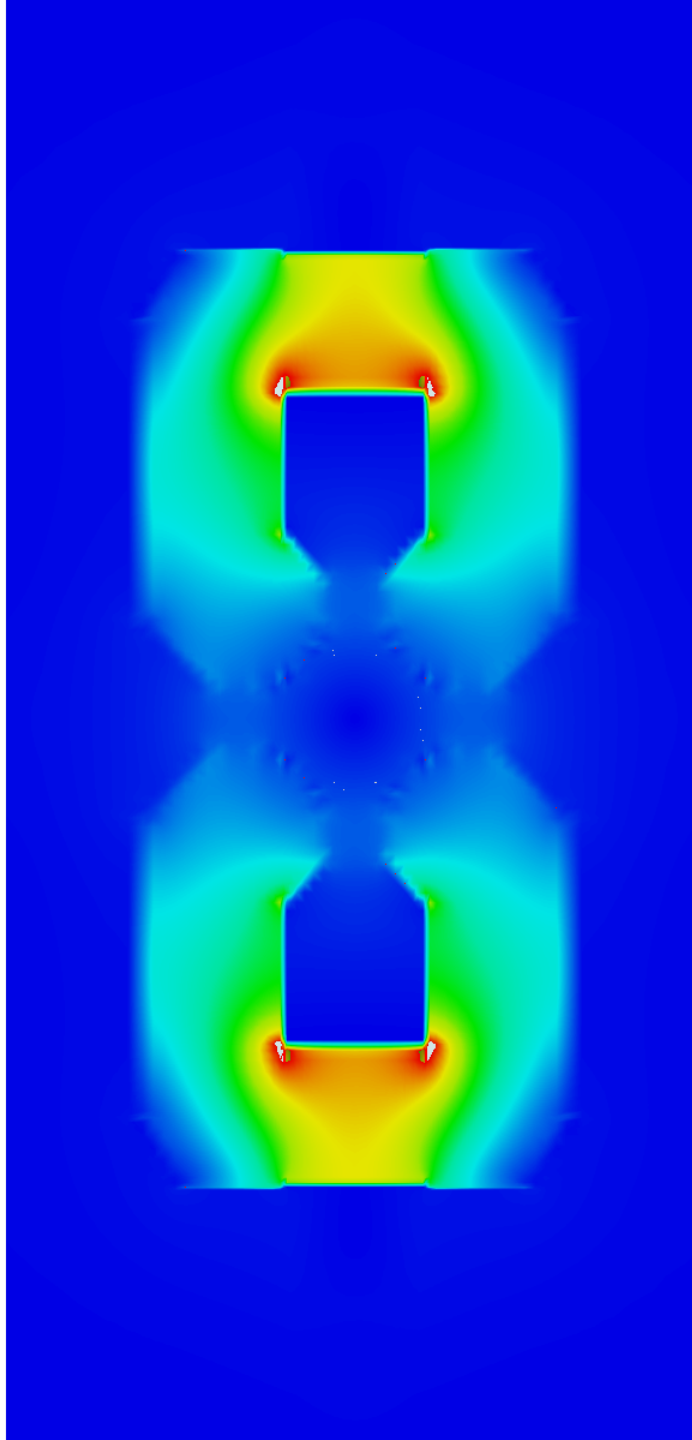
Buckley Systems Ltd

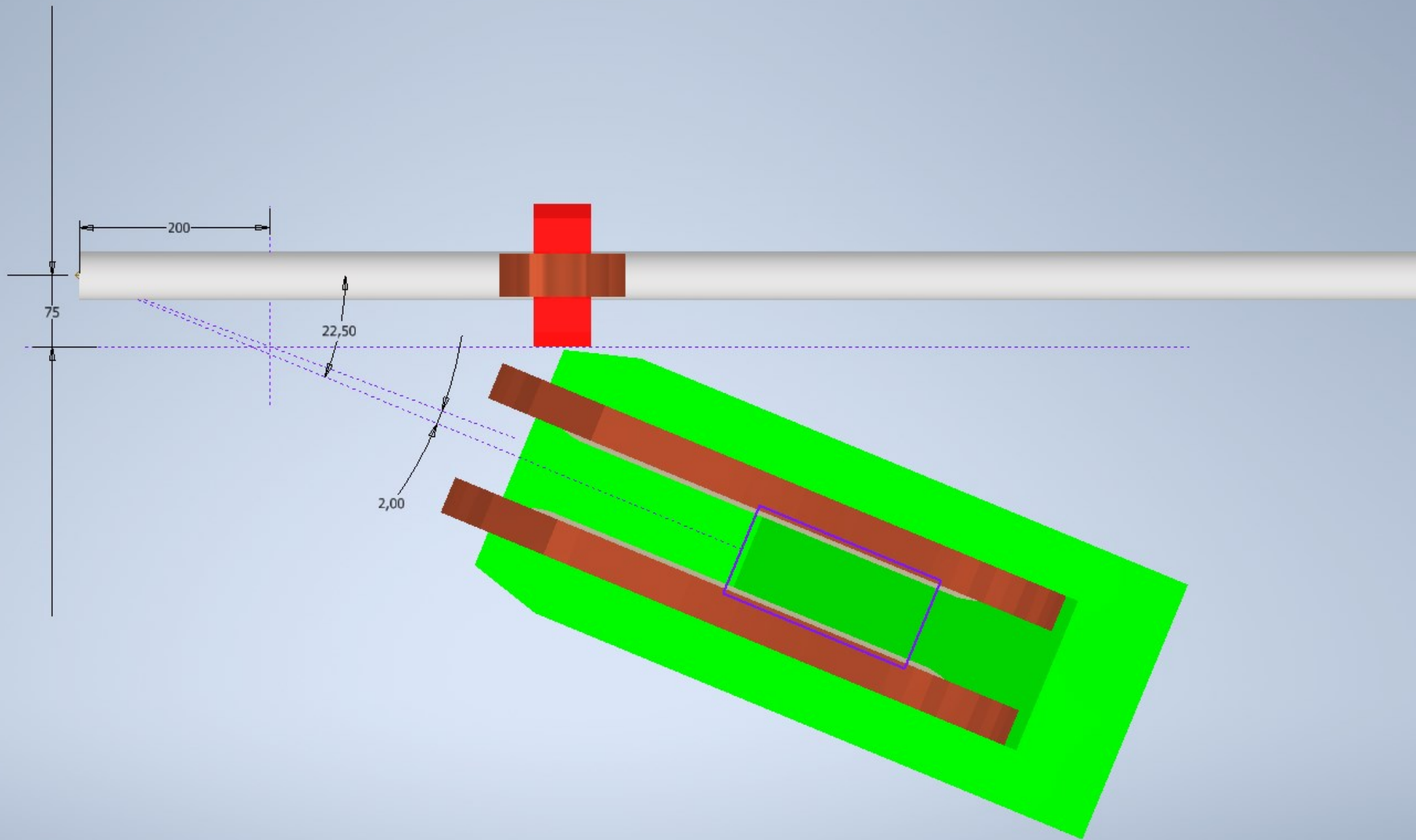




B-Field

Component	Abs
Phase	0°
Cross section	A
Cutplane at X	0.000 mm
Maximum (Plane)	1.45468 V.s/m ²
Maximum	2.0668 V.s/m ²





Parameter

- Current: 2 x 22.9 A
80 Turns
- Integrated field: 0.3 T
- Dimensions (Yoke): 60 mm
150 mm
332 mm
- Octupole contribution: ~ 1% (could be optimized)
- Steel 16.33 kg
- Minimum Angle Specs: 22.5° with current design, 21° possible