

6

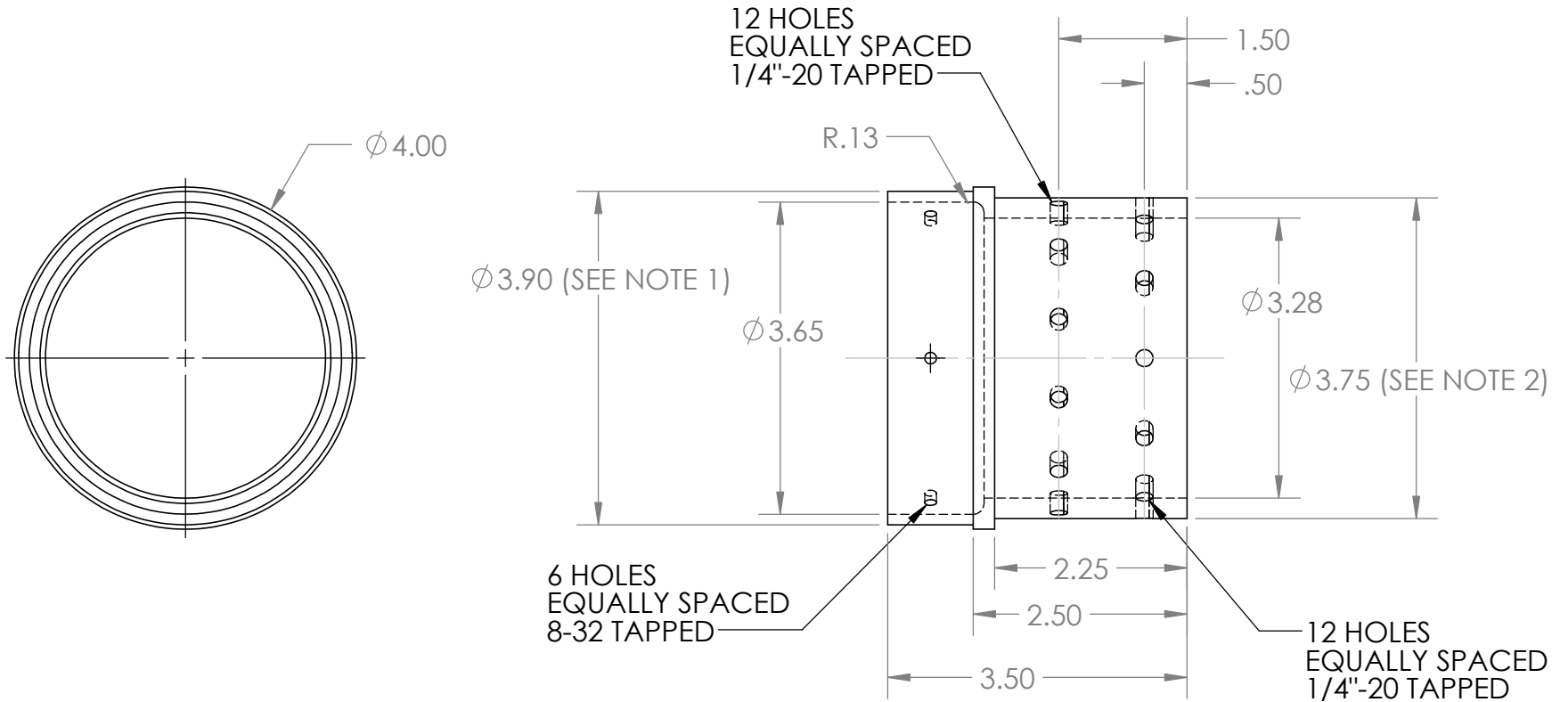
5

4

3

2

1



NOTES:

1. TURN OVERSIZED AND FIT CHECK WITH MISSION PACKAGE TUBE
2. TURN OVERSIZED ANF FIT CHECK WITH MOTOR CASING

UNLESS OTHERWISE SPECIFIED: DIMENSIONS ARE IN INCHES SURFACE FINISH: 32 TOLERANCES: LINEAR: $\pm 0.005$ " ANGULAR:		FINISH: MACHINED		DEBURR AND BREAK SHARP EDGES		DO NOT SCALE DRAWING		REVISION 1	
NAME		SIGNATURE		DATE		TITLE: <b>BOOSTER FRR</b>			
DRAWN CM				11-10-20					
CHK'D									
APPV'D									
MFG									
Q.A						MATERIAL: 6061-T6 ALUMINUM		DWG NO. <b>MT201</b>	
						WEIGHT: 0.78LB		SCALE: 1:2	
								SHEET 1 OF 1	

6

5

4

3

2

1